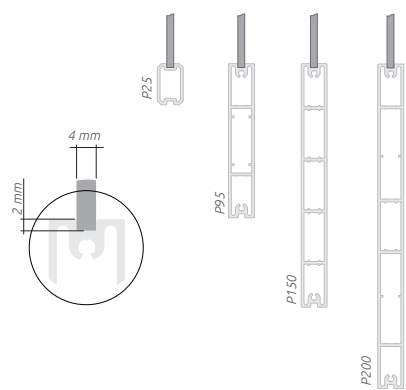


Plate / Panel stand-up display

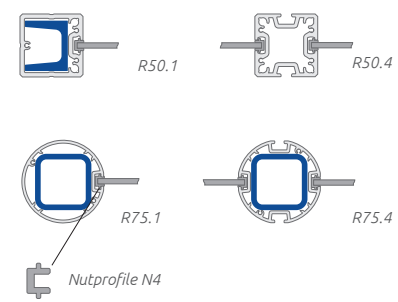
with plates and 4 mm composite panels



Standard length	Profile			
500	P25	P95	P150	P200
800	P25	P95	P150	P200
1250	P25	P95	P150	P200
1550	P25	P95	P150	P200
2000	P25	P95	P150	P200



Stand tube length
1600
2000
2500
3000
3300
4000



Are inserted lateral in the stand tubes to fixate the plates.

Variable and versatile, are the strengths of the plate-panel stands. The plate-panel stand is a combination stand, in which transverse aluminium-panels sign plates up to 4 mm, can be clamped in. Because of that, it is a very inexpensive stand, but can only be used for smaller sign panels.

Mounting takes place with galvanized steel flange plate or stand tubes in sleeve foundation. For more information, take a look at page 32.